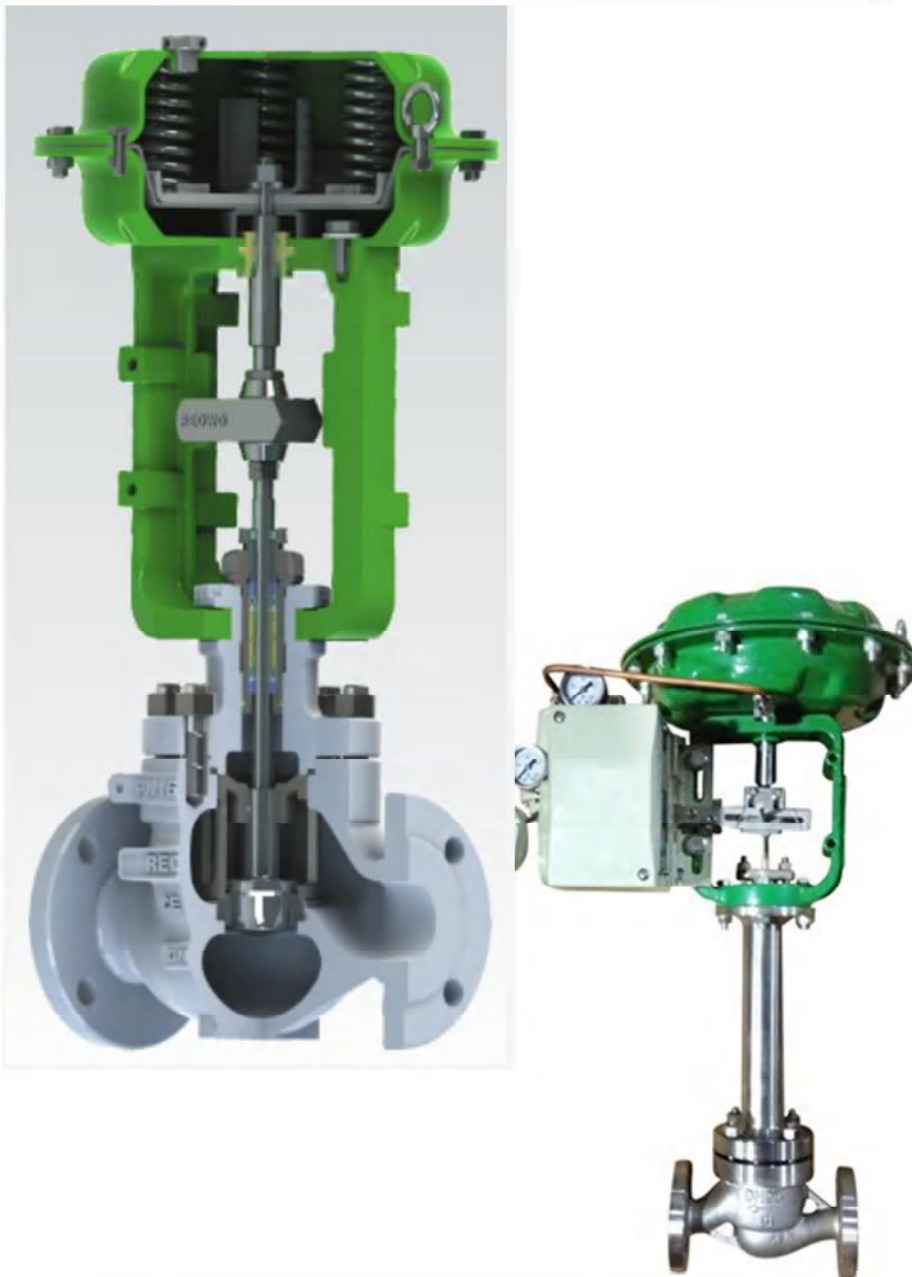


调节阀

Control valve

HANKSON[®]

Hankson GmbH & Fluid Control System



HANKSON T100系列控制阀配有专门设计的阀内件以满足工厂中的各种工况。阀内件的形式、材质均可按需提供。
HANKSON T100 series control valve with a specially designed valve parts to meet a variety of working conditions in factories. Form and material valve parts can be provided upon.

系列 Series T100

连接方式

Connection

焊接Weld

法兰Flange

工作温度

Temperature

-196℃~+538℃

泄漏等级

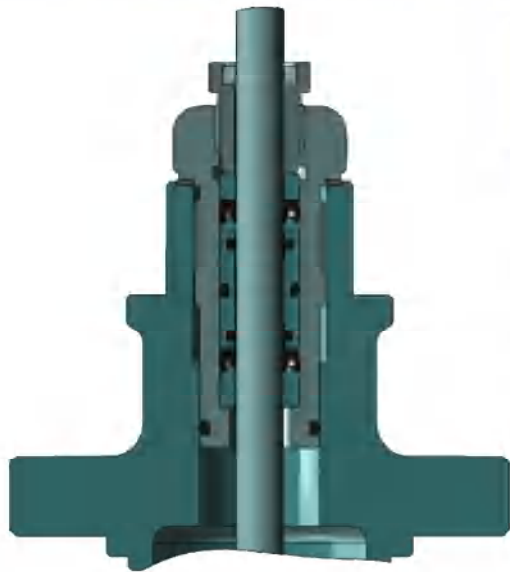
Leakage rating

Class VI及以上

Class VI and above

T100

阀杆密封 Stem seals



免维护PTFEV型精密密封环

Precision sealed maintenance-free PTFE V-ring

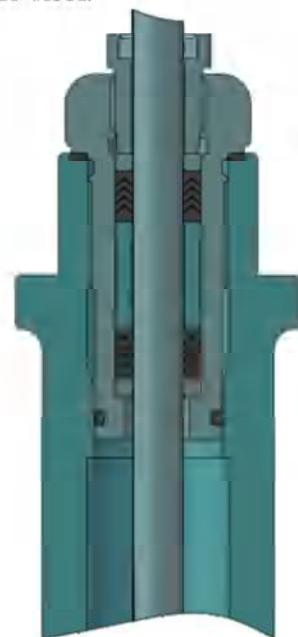
该填料系统由加强型石墨和PTFEV型环组成，不受操作温度剧烈变化的影响。耐腐蚀的预紧弹簧安装于填料函的下方，即使在低压工况下也能保证足够的密封力。精密的弹性微密封单元安装在填料函上部，以确保密封更加安全，同时装有刮垢环以防止外界污垢进入。

The packing system consists of reinforced graphite and PTFE V-ring composition, dramatic changes in temperature are not operating. Corrosion-resistant spring preload installed in the bottom of the stuffing box, even in low-pressure conditions but also to ensure adequate sealing force. Precision Micro elastic sealing unit mounted on the upper stuffing box to ensure a more secure seal, while scraping dirt ring fitted to prevent dirt entering the outside world.

可调整的填料函和密封环

Adjustable stuffing and sealing ring

可调整的阀杆密封有多种填料材质可选。只有每个单独的填料环都能受到均匀的负载压力，才能保证在长期使用中不会出现由于密封力不均而导致的内漏问题。由于HANKSON有专利的OPTIPRESS预紧力装置，填料环总是在一个恒定的预紧力下工作，密封力在整个填料函内都是均匀的，这可以保证整个填料长期保持良好的密封效果。There are a variety of adjustable stem seal packing materials available. Only each individual packing rings can be subjected to a uniform load pressure, in order to ensure that no leakage problems occur due to the uneven sealing force caused in long-term use. Because HANKSON OPTIPRESS patented preload device, packing ring is always in a constant preload work under seal force is uniform throughout the stuffing, which can guarantee the long-term good of the whole packing seal.



波纹管密封 Bellows seal

在要求零泄漏的场合，HANKSON 专门开发的波纹管密封是最佳解决方案，不锈钢波纹管的底部与阀杆焊接，顶部为波纹管密封固定端，因此波纹管阀门的阀杆密封可实现气密密封。为了安全起见，阀门还额外配有标准的填料函，即使在波纹管失效的情况下也可确保安全可靠运行。在波纹管和填料函之间可选配检测和清洗接口。

Requiring zero leakage occasions, HANKSON specially developed bellows seal is the best solution at the bottom of the stem welded stainless steel bellows, the top end of the bellows seal is fixed, so the bellows valve stem seal can achieve airtight seal. For security reasons, the valve additionally equipped with standard stuffing, even in the case of failure of the bellows can also ensure safe and reliable operation. Between the bellows and stuffing optional detect and clean interface.



压力平衡式阀芯 Pressure balanced valve

该压力平衡式阀内件是减小执行机构推力的最佳选择。通过在阀芯上打孔和加装活塞密封圈来减小不平衡力。即使很小的执行机构也可以驱动配有压力平衡式的HANKSON控制阀。很据工艺条件，压力平衡式阀门可选择金属的活塞环或弹性密封环来实现密封。

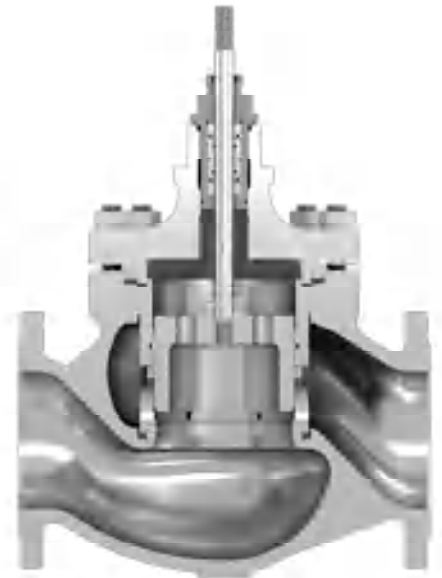
Valve pressure balance internal parts is reduced the best choice actuator thrust. Piston ring to reduce the unbalance force on valve core drilling and installation of the. Even if the actuator is very small also can be driven with pressure balance type HANKSON control valve. According to the process conditions, pressure balance valve can be selected from metal piston ring or elastic sealing ring to seal.

金属支撑的软密封阀座

Soft sealing valve seat metal support

可调为了确保软密封阀座在使用大的执行机构情况下长期的密封性能，HANKSON创造性的研发了具有金属边保护和O型圈支撑的PTFE软阀座。这样不仅能够保证PTFE软密封的正常密封压力，同时也能够防止PTFE软密封的变形开裂。经过100万次的重负运行，改装置已被证明是极为可靠的。

In order to ensure that the soft sealing valve seat in the use of executive mechanism under the condition of more long-term sealing performance, research and development of HANKSON creative PTFE with soft seat metal edge protection and O type ring support. This can not only ensure the normal sealing pressure of PTFE soft seal, but also can prevent deformation and cracking of PTFE soft seal. After 1000000 runs of the burden, the modification has been proved to be very reliable.



标准抛物线阀芯

The standard parabolic spool

在对于层流和满流的工况，抗杂质的一级单座抛物线阀芯是最理想的选择。阀门的流量特性可以根据要求调整。标准的阀座为金属材质，阀座环为旋转对称形式，可以双面使用。当一面损坏的时候可以简单的翻转阀座继续使用，这无需特殊工具即可在现场便利的操作。为了防止因高压和气蚀产生的对阀内件的冲蚀损害，可选用一级或多级的阀芯（逐级降压）。打孔的低噪音阀笼可以有效地降低噪音。

For the laminar and turbulent flow conditions, a single seat valve core anti impurity level of parabola is the most ideal choice. The flow characteristics of the valve can be adjusted according to the requirements. Standard seat is made of metal material, the seat ring is rotationally symmetric form, can use both sides of. The flip side seat when damaged can simply continue to use it without special tools can be convenient in site operation. Erosion damage to the valve parts in order to prevent by high pressure and cavitation, can be selected by the valve core single-stage or multi-stage (stepped down). Low noise valve cage drilling can effectively reduce noise.



T100

阀内件Trim

打孔阀芯和阀笼 Drilling spool and valve cage

该对于液体和可压缩的介质，打孔的阀芯和阀笼是降噪和防止气蚀的理想解决方案。气蚀所产生的气泡穿过小孔在打孔阀芯的中间破裂，所以不会对阀内件和阀体造成破坏，这种为了应对高压差和特殊工况而设计的控制阀不仅使用寿命长而且可以节约成本、提高效率，同样也能降低噪音。对于更高噪音的工况还可以加装打孔阀笼进一步降低噪音。

For liquid and compressible fluid, perforating the spool and valve cage is to prevent cavitation noise reduction and ideal solution. Cavitation bubbles generated through the holes in the middle hole of the valve core rupture, so will cause the valve parts and valve control valve failure, this in order to cope with the high differential pressure and special working condition and design not only has a long service life and can save cost, improve efficiency, can also reduce the noise. For higher noise condition can be equipped with a perforated cage to further reduce the noise.



双导向抛物线阀芯

Double guide parabolic spool

可由于伯努利效应，流体在高压差的情况下会使阀芯震动，双导向的阀芯可以抵消这种现象。该创新设计不会增加额外的密封部分。开放性的底部导向设计能有效地抵抗杂质。由于HNAKSON系列的模块化设计，创新的双导向部件可以应用到每个标准阀门中。

Due to the Bernoulli effect, the fluid will spool vibration in the case of high-pressure differential valve core, double orientation can counteract this phenomenon. The innovative design won't increase additional sealing part. Bottom guide opening design can effectively resist impurities. Due to the modular design of HANKSON series, double guide parts of innovation can be applied to each standard valve.



危险介质隔膜密封阀

Dangerous medium diaphragm sealed valve

在隔膜密封和安全填料函可以有效阻止危险介质的泄露。在复杂的工况下颗粒物可能滞留在金属波纹管的间隙中从而造成波纹管的损坏，这种情况下选择隔膜密封是最理想的。

Diaphragm seal and secure leak stuffing can effectively prevent dangerous medium. Clearance of particulate matter in the complex conditions may be stuck in the metal corrugated pipe to cause damage in a corrugated pipe, sealing the case of optional diaphragm is the most ideal.

