

中线蝶阀

center line butterfly valve

HANKSON[®]

Hankson GmbH & Fluid Control System



系列 Series D100

D100系列阀门不仅拥有卫生级阀门特点，而且具有独特的内在流量特性和能力。HANKSON D100系列是对夹式带法兰安装孔，D100系列是凸耳式用于管道末端服务和其他法兰要求，D100系列蝶阀是双法兰式设计，能应用于管线末端服务。HANKSON阀门最主要的设计特点是具有国际化的兼容性。

The Series D100 butterfly valve not only surpasses the high standards required in sanitary valve applications, and inherent flow characteristics and capabilities. HANKSON Series D100 valve is a wafer version with flange locating holes, and the Series D100 is the companion lug version for dead-end service and other flange requirements. HANKSON Series D100 butterfly valve is a Double Flanged design which can be used for dead-end service. A major design advantage of HANKSON valve product lines is international compatibility.

连接方式

Connection

对夹式Wafer

凸耳式LUG

双法兰Double Flange

单法兰Single Flange



阀板/阀杆设计Disc/Stem design

一片式设计，阀板边缘经球面加工和手工抛光，具有操作扭矩力低、阀座使用寿命长和密封性能好的优点。应用在卫生领域，这样的设计完全防止收藏灰尘颗粒和细菌。阀杆和阀板表面也可以包一层丁腈橡胶或乙丙橡胶，防止金属表面侵蚀和腐蚀。阀板和阀杆的“薄板”设计，可以提高Cv值（比普通心轴穿透阀板高50%）和较大的压力恢复能力，所以具有较小的压力降，是节能阀门。

One-piece design. The disc edge is spherically machined and hand polished to produce a bubble-tight shutoff, minimum torque, and longer seat life. The disc/stem design inherently provides complete protection from particle entrapment and bacterial decay, protection that is required for sanitary performance. For superior erosion and abrasion resistance, the one piece disc/stem is fully encased in either EPDM or BUNA-N. The thin disc profile provides a much higher Cv (up to 50% greater than most through-stem designs) and greater pressure recovery, thus resulting in lower pressure drops and a more energy-efficient valve.

阀杆填料Stem seal

自调式双“U”杯形填料设计，可保证双向绝对密封。防止外来物质进入阀杆腔内。

Double "U" cup seal design is self-adjusting and gives positive sealing in both directions and prevents external substances from entering the stem bore.

阀体/长/短衬轴Body/Long/short liner shaft

阀体分为两半，容易组装和维修。长/短衬轴抗腐蚀，醇缩醛阀杆套能够吸收重负荷时的侧向推力。

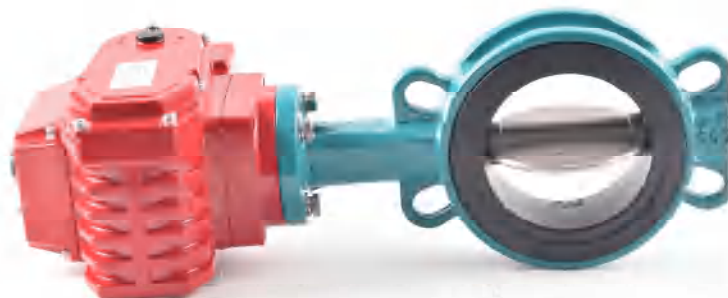
Two-piece wafer or lug style allows for ease of assembly and maintenance. Long/short liner shaft Non-corrosive, heavy duty acetal bushing absorbs actuator side thrust.



阀座Seat

HANKSON独特的舌槽接合式阀座设计，能够完全把阀体与管内介质隔离。与其他同类阀门比较，它具有：阀座安装牢固，更换方便快捷，扭矩小的优点。阀座表面有模压成一体的O型环，不需要再安装时另加法兰垫片。

HANKSON tongue and groove seat design lowers torque and provides complete isolation of flowing media from the body. The seat also features a molded O-ring which eliminates the use of flange gaskets.



D100/常规配置

center line butterfly valve

产品简介Product introduction

经济、结构简单。适用于绝大多数工业领域。

Economic, simple structure. Suitable for most industrial applications.

设计和特点Design and Features

操作: 手把式、手轮式、气动、电动

连接: 对夹法兰、凸耳式、双法兰、单法兰

压力范围: PN10-PN16/150LB

Operation: Handle, Handle Wheel, Pneumatic, Electric

Connection: Wafer flange, Lug, Double flange, Single flange

Pressure



气动执行器 Pneumatic actuator

缸体: 铝合金 (其他请咨询)

气源压力: 4-8 bar

环境温度: -20°C +80°C (其他请咨询)

气源介质: 过滤后的压缩空气或者其他惰性气体

选项: 两位三通或两位五通电磁阀, 电子或物理指示器,

定位器, 过滤减压阀, 手动离合器

Body: Aluminum alloy (Others on request)

Pilot pressure: 4-8 bar

Temperature of the environment: -20°C up to +80°C (Others on request)

Pilot media: Filtered compressed air or other inert gases

option: 3/2-ways or 5/2-ways solenoid valve, electronic or physical indicators, locator, filter pressure reducer, manual clutch

以上信息仅供参考, 本公司保留修改的权利, 恕不另行通知

The above information is for reference only, the company reserves the right to modify without prior notice



选项Options

球阀体材质: 球墨铸铁喷涂聚酯涂层, WCB, 304SS, 316SS, 316L (其他请咨询)

内件材质: WCB表面镀镍, WCB表面镀尼龙, 304SS, 316SS, 316L (其他请咨询)

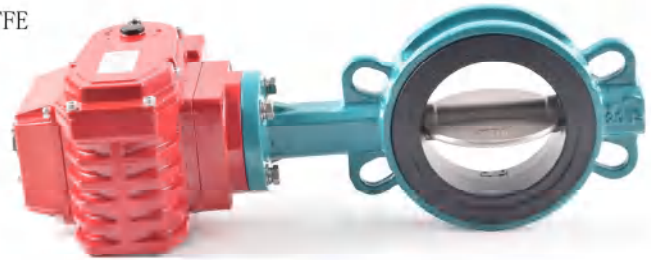
阀座密封: NBR, EPDM, PTFE, Viton, Silicone

阀杆填料: PTFE Body: Cast iron lined polyester coating, . WCB, 304SS, 316SS, 316L (Others on request)

Trim: WCB nickel plated, WCB lined nylon, 304SS, 316SS, 316L (Others on request)

Seat: NBR, EPDM, PTFE, Viton, Silicone

Packing: PTFE



电动执行器 Electric actuator

可选电压: 220VAC, 380VAC, 24VDC (其他请咨询)

环境温度: -20°C +60°C

防护等级: IP67

标准设备: 两限位开关, 物理指示器, 手动控制, 开关型+干接点

选项: 除湿加热器, 过力矩保护,

4-20mA调节, Exd IIB T4, 更多要求请咨询

Optional voltage: 220VAC, 380VAC,

24VDC (Others on request)

Temperature of the environment: -20°C up to +80°C

Protection: IP 67

Standard equipment: 2 additional limit switches, optical position indicator, manual override,

On/Off+Limit switch option: Dehumidification heater, overtorque protection, modulate type

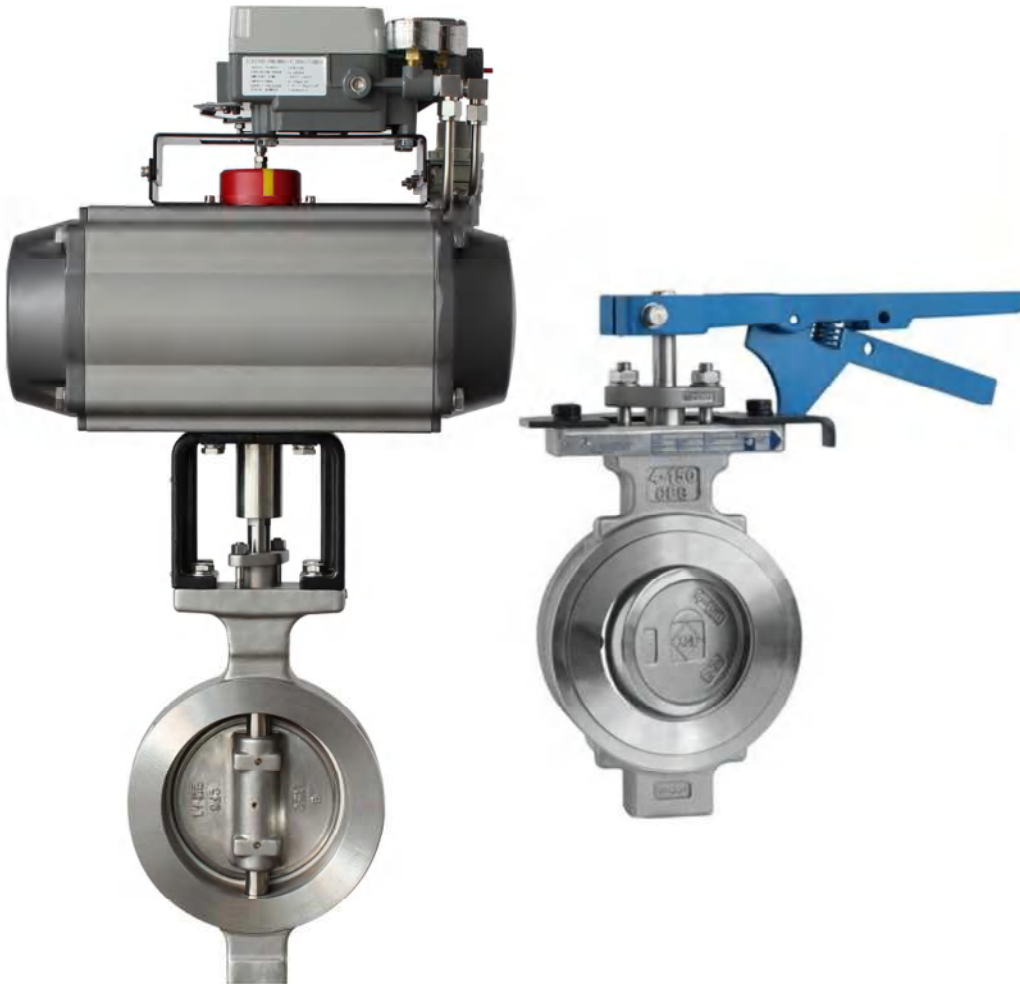
4-20mA, Exd I B T4, more requests please contact

高性能蝶阀

High performance butterfly valve

HANKSON®

Hankson GmbH & Fluid Control System



系列 Series
D200

HANKSON很自豪的提供Q200系列高性能蝶阀。其独特专利设计，一经推出就立即作为最好的产品应用于化学生产中。简单创新的设计，提供了坚固的可靠性及现场极易维修的性能。
HANKSON is proud to offer the Q200 series high performance butterfly valve. Its unique patented design, once launched immediately as the best product application in chemical production. Simple design innovation, provides performance reliability and field strong easy maintenance.

连接方式

Connection

对夹式Wafer

凸耳式LUG

双法兰Double Flange

单法兰Single Flange

工作温度

Temperature

-40°C--+250°C

结构特征 Structural features

阀座设计 Seat design

HANKSON独特的两件式阀座结构，包括有一只弹性增能器由阀座整个包裹着，该组件被一个表面修整的阀座定位器锁紧在阀体凹槽处，这项简单可靠的设计，提供许多的优点，包括：增能器被阀座完全隔离了管路介质。无论阀座处于什么位置，阀体凹槽和阀座定位器上的锯齿都能使阀座固定。全表面修整的阀座定位器采用螺栓连接阀体，将阀座锁定在正确的位置上，即使在没有配对法兰时，阀座也固定可靠。密封可靠和具有良好的支撑能力的阀座，通过阀板和管路的压力来激发增能。管路压力越高，密封能力也越好。在较低压力和真空工况，这种增能阀座的设计，能提供更优越的密封性能，而且使用寿命更长。对管路介质流体而言，提供了零泄漏双向密封功能。阀座本身具有对温度变化和磨损情况的自我调节能力。

The unique, two-part seat assembly consists of a resilient energizer which is totally encapsulated by the seat. The assembly is locked in the body recess by a full-faced seat retainer. This simple, reliable and proven combination results in many exclusive advantages including: The energizer is completely isolated from all contact with the line media by the seat. Serrations in the seat retainer and body recess secure the seat assembly in place regardless of disc position. The full-faced retainer is bolted to the body, locking the seat in the correct position. The seat is secured even without the mating flange. The closely confined and well supported seat is energized by the disc and line pressure. The higher the pressure, the tighter the seal. In low pressure and vacuum applications, the energized seat offers superior sealing and longer service life than many other designs. Line media is sealed to zero-leakage in both directions. The seat is self-adjusting for wear and temperature changes.



阀板 Disc

阀标准材料316不锈钢阀板，设计为可提供最大的流量，最小的流体阻力和Cv值。

The disc has been engineered to maximize flow and minimize resistance providing a high Cv. Stainless Steel is standard.

防吹出阀杆 Blow-out proof stem

高强度，整体式阀杆采用17-4PH不锈钢材料。阀杆端部标准化设计，具有能够互换HANKSON执行机构的特点。在阀杆凹槽和填料压盖之间装有一个定位丫环，能保持阀杆定位。

The high-strength, one piece stem is 17-4 PH Stainless Steel. The valve stem is standardized for interchangeability of HANKSON actuators. A retaining ring is installed between the machined stem groove and gland retainer step.

阀板和阀杆双重偏心的设计

Double offset stem and disc design

HANKSON的双重偏心设计减少了阀座的磨损，保证了整个压力范围内的双向气密关闭功能。在阀座开始的起始点，偏心阀板产生了一个类似凸轮的作用，不要过大的压力，便能牵引阀板离开阀座，阀板在起始位置的这个类似凸轮件作用，降低阀座磨损，尽量减少了阀座的变形现象，阀门开启时，由于阀板不接触阀座，因此阀座的寿命延长，操作扭矩很小，阀门关闭时，这个类似凸轮的作用转换为的回转运动为直行运动，有效的推动阀板触及阀座，阀板对阀座的措拭作用，避免了泥浆及悬浮固体等异物的积聚。

The double offset design of the AISENBERG assures reduced seat wear and bidirectional, zero leakage shut off throughout the full pressure range. At the initial point of disc opening, the offset disc produces a cam-like action, pulling the disc from the seat. This cam-like action reduces seat wear and eliminates seat deformation when the disc is in the open position. When open, the disc does not contact the seat, therefore seat service life is extended and operating torques are reduced. As the valve closes, the cam-like action converts the rotary motion of the disc to a linear type motion to effectively push the disc onto the seat. The wiping action of the disc against the seat prevents undesirable material build-up from slurries or suspended solids.



D200/常规配置

center line butterfly valve

产品简介Product introduction

双偏心蝶阀采用模块化设计原理，该系统可以满足您对于操作可靠性、环保及成本效益方面的要求。压盖式安装的阀座，更换备件方便简单。唇式结构的弹性密封圈，具有自动补偿的功能，无论介质流动方向如何，偏心蝶阀总能保持优异的密封效果。

High performance butterfly modular design principle, for the system to meet your operational reliability, cost-effectiveness and environmental protection requirements. Gland-mounted seat, convenient and simple replacement of spare parts. Dense elastic lip ring structure, with automatic compensation function, regardless of the medium flow direction, eccentric butterfly can always maintain excellent sealing effect.



设计和特点Design and Features

操作: 手把式、手轮式、气动、电动

连接: 对夹法兰、凸耳式、双法兰

压力范围: PN16/150LB、PN40/300LB/600LB

Operation: Handle, Handle Wheel, Pneumatic, Electric

Connection: Wafer flange, Lug, Double flange

Pressure range: PN16/150LB、PN40/300LB/600LB

选项Options

阀体材质: WCB, 304SS, 316SS (其他请咨询)

内件材质: 304SS, 316SS (其他请咨询)

阀座密封: RPTFE, PEEK

阀杆填料: PTFE Body: WCB, 304SS, 316SS, (Others on request)

Trim: 304SS, 316SS (Others on request)

Seat: RPTFE, PEEK

Packing: PTFE



气动执行器 Pneumatic actuator

缸体: 铝合金 (其他请咨询)

气源压力: 4-8 bar

环境温度: -20°C +80°C (其他请咨询)

气源介质: 过滤后的压缩空气或者其他惰性气体

选项: 两位三通或两位五通电磁阀, 电子或物理指定定位器, 过滤减压阀, 手动离合器

Body: Aluminum alloy (Others on request)

Pilot pressure: 4-8 bar

Temperature of the environment: -20°C up to +80°C (Others on request)

Pilot media: Filtered compressed air or other inert gases

option: 3/2-ways or 5/2-ways solenoid valve, electronic or physical indicators, locator, filter pressure reducer, manual clutch

以上信息仅供参考, 本公司保留修改的权利, 恕不另行通知。

The above information is intended for guidance only and the company reserves the right to change any data herein without prior notice



电动执行器 Electric actuator

可选电压: 220VAC, 380VAC, 24VDC (其他请咨询)

环境温度: -20°C +60°C

防护等级: IP67

标准设备: 两限位开关, 物理指示器, 手动控制, 开关型+干接点

选项: 除湿加热器, 过力矩保护,

4-20mA调节, Exd IIBT4, 更多要求请咨询

Optional voltage: 220VAC, 380VAC,

24VDC (Others on request)

Temperature of the environment: -20°C up to +80°C

Protection: IP 67

Standard equipment: 2 additional limit switches, optical position indicator, manual override,

On/Off+Limit switch option: Dehumidification

heater, overtorque protection, modulate type

4-20mA, Exd I B T4, more requests please contact

三偏心蝶阀

Three eccentric butterfly valve

HANKSON®

Hankson GmbH & Fluid Control System



系列 Series D300

同口径和同等级的闸阀，截止阀和球阀相比，HANKSON在尺寸，重量和安装要求都大大缩减，从而降低客户的建造和维护成本。HANKSON系列蝶阀适用于从真空到高压，从超低温到超高温的各种应用。标准的弹性金属硬密封系统本身就是防火安全的，在要求零泄漏密封的应用场合中。

Compared to gate, globe or ball valves of the same size and pressure class, HANKSON provides space and weight savings while minimizing installation and maintenance costs.

HANKSON is a premier isolation valve, well suited for operation in light vacuum to high pressure applications.

The standard, non-rubbing, metal-to-metal sealing system is inherently firesafe. Applications requiring absolute zero leakage are ideally suited for triple offset technology.

连接方式

Connection

对夹式Wafer

凸耳式LUG

双法兰Double Flange

焊接Weld

工作温度

Temperature

-29°C~+425°C

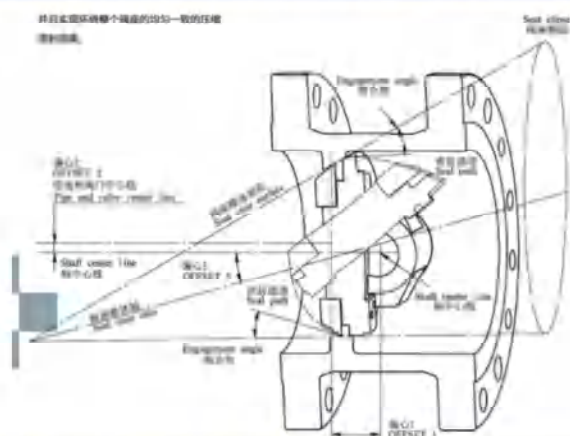
D300

结构特征 Structural features

可更换阀座密封系统

Replaceable seat/Seal system

HANKSON系列阀门特点为在现场可独立更换阀座和密封环。根据工况条件的变化，阀座和密封环材料可替换，无需将整个阀门都更换。维修、停工时间和成本都大大的减少了，从而延长了阀门的使用寿命。HANKSON弹性金属硬密封在最低扭矩下提供零泄漏，防火是金属硬密封固有特性。标准的阀座和密封环材料是不锈钢，也可以提供其他材料，包括Stellite覆盖的材质。弹性密封环与阀座形成均匀的外圆密封，无论流体流向如何，阀门都能完全关闭。HANKSON在高温或严格工况应用时提供了可靠地金属阀板密封，确保阀门在使用寿命内，在全压力/温度范围内实现双向密封零泄漏。HANKSON Series valves feature independent field replacement of both the seat and the seal ring. Should service conditions change, seat and seal ring materials may be substituted, without replacing the entire valve. Maintenance, downtime and costs are substantially reduced extending the overall service life of the valve. HANKSON's non-rubbing metal-to-metal seal delivers zero leakage with a minimal amount of torque and is inherently firesafe. The standard seat and seal ring material is stainless steel with other materials including Stellite overlays available. The resiliency of the seal ring ensures uniform peripheral sealing with the seat, achieving full shutoff regardless of flow direction. Tri Lok offers a solid metal seal ring for high temperature and severe service applications to ensure bi-directional shut-off throughout the full pressure/temperature range.



工作原理 Principle of operation

HANKSON三重偏心蝶阀具有双向无气泡紧密关闭性能。这种几何形状保证阀瓣密封只是在关闭位置才与阀体阀座接触，因此不会产生摩擦或磨损，并且产生一种扭矩使得弹性密封具有足够的“焊接”性能，确保密封接触的均匀一致性。

HANKSON three eccentric butterfly valve with a bi-directional bubble tight shut-off. This geometry to ensure the valve sealing is in the closed position with body seat contact, therefore, does not produce friction or wear, and generates a torque makes the elastic seal with sufficient "welding" performance, to ensure a uniform seal contact.

三重偏心几何形状

Three eccentric geometry

偏心1 阀轴位于阀座轴后面，使得密封能够完全紧密环绕接触整个阀座。

Offset 1 The valve shaft is arranged in the valve seat shaft behind, allows the seal to fully contact around the entire seat.

偏心2 阀轴中心线偏离管道和阀门中心线，这就免受阀门开启和关闭的干扰。

Offset 2 The valve shaft center line from the pipe and the central line of the valve, the valve opening and closing from interference.

偏心3 阀座锥体轴偏离阀轴中心线，这样可以关闭和开启过程中消除摩擦作用，并且实现环绕整个阀座的均匀一致的压缩密封效果。

Offset 3 Valve cone axis is offset from the shaft center line, so you can open and close the elimination of the role of friction in the process, and the realization of uniform compressive sealing around the entire seat.



阀杆/填料 Stem/Packing

HANKSON三偏心蝶阀采用整体式阀杆，并且在填料上方带有防吹出环使得阀杆在工况压力下完全符合国际标准。可调节的填料系统（填料压盖）减小了管道中介质散出的几率并且易于填料的现场更换。HANKSON features a one piece stem with a blow out prevention ring located above the packing box, outside the pressure boundary, in accordance with international standards. Fully adjustable stem seal system (packing gland) eliminates fugitive emissions and is also field replaceable.

阀座/密封圈 Seat/Sealing

HANKSON阀门完全可更换阀座和阀板密封系统延长了整个使用寿命，减少了维护时间和成本。

Fully replaceable seat and seal ring system extends the overall life of every Tri Lok valve minimizing downtime, without the need for costly offsite repairs or total replacement.



D300/常规配置

General configuration

产品简介Product introduction

三偏心采用模块化设计原理，该系统可以满足您对于操作可靠性、环保及成本效益方面的要求。压盖式安装的阀座，更换备件方便简单。
Eriple eccentric modular design principle, for the system to meet your operational reliability, environmental protection and to The effectiveness requirements. Gland-mounted seat, convenient and simple replacement of spare parts.



选项Options

阀体材质: WCB, 304SS, 316SS (其他请咨询)
内件材质: 304SS, 316SS (其他请咨询)
阀座密封: 金属密封, 316SS+STL, 316SS+WC
阀杆填料: PTFE, 柔性石墨
Body: WCB, 304SS, 316SS, (Others on request)
Trim: 304SS, 316SS (Others on request)
Seat: Metal, 316SS+STL, 316SS+WC
Packin



设计和特点Design and Features

操作: 手把式、手轮式、气动、电动
连接: 对夹法兰、凸耳式、双法兰、焊接
压力范围: PN16/150LB、PN40/300LB、PN100/600LB (其他请咨询)
Operation: Handle, Handle Wheel, Pneumatic, Electric
Connection: Wafer flange, Lug, Double flange Pressure
range: PN16/150LB, PN40/300LB, PN100/600LB (Others on request)



气动执行器 Pneumatic actuator

缸体: 铝合金 (其他请咨询)
气源压力: 4-8 bar
环境温度: -20°C +80°C (其他请咨询)
气源介质: 过滤后的压缩空气或者其他惰性气体
选项: 两位三通或两位五通电磁阀, 电子或物理指示器, 定位器, 过滤减压阀, 手动离合器
Body: Aluminum alloy (Others on request)
Pilot pressure: 4-8 bar
Temperature of the environment: -20°C up to +80°C (Others on request)
Pilot media: Filtered compressed air or other inert gases
option: 3/2-ways or 5/2-ways solenoid valve, electronic or physical indicators, locator, filter pressure reducer, manual clutch
以上信息仅供参考, 本公司保留修改的权利, 恕不另行通知。

The above information is intended for guidance only and the company reserves the right to change any date herein without prior notice

电动执行器 Electric actuator

可选电压: 220VAC, 380VAC, 24VDC (其他请咨询)
环境温度: -20°C +60°C
防护等级: IP67
标准设备: 两限位开关, 物理指示器, 手动控制, 开关型+干接点
选项: 除湿加热器, 过力矩保护, 4-20mA调节, Exd IIBT4, 更多要求请咨询
Optional voltage: 220VAC, 380VAC, 24VDC (Others on request)
Temperature of the environment: -20°C up to +80°C
Protection: IP 67
Standard equipment: 2 additional limit switches, optical position indicator, manual override, On/Off+Limitch switch option: Dehumidification heater, overtorque protection, modulante type 4-20mA, Exd 1B T4, more requests please contact