

中线蝶阀

center line butterfly valve

HANKSON®

Hankson GmbH & Fluid Control System



系列 Series D100

D100系列阀门不仅拥有卫生级阀门特点，而且具有独特的内在流量特性和能力。HANKSON D100系列是对夹式带法兰安装孔，D100系列是凸耳式用于管道末端服务和其他法兰要求，D100系列蝶阀是双法兰式设计，能应用于管线末端服务。HANKSON阀门最主要的设计特点是具有国际化的兼容性。

The Series D100 butterfly valve not only surpasses the high standards required in sanitary valve applications, and inherent flow characteristics and capabilities. HANKSON Series D100 valve is a wafer version with flange locating holes, and the Series D100 is the companion lug version for dead-end service and other flange requirements. HANKSON Series D100 butterfly valve is a Double Flanged design which can be used for dead-end service. A major design advantage of HANKSON valve product lines is international compatibility.

连接方式

Connection

对夹式Wafer

凸耳式LUG

双法兰Double Flange

单法兰Single Flange



阀板/阀杆设计Disc/Stem design

一片式设计，阀板边缘经球面加工和手工抛光，具有操作扭矩力低、阀座使用寿命长和密封性能好的优点。应用在卫生领域，这样的设计完全防止收藏灰尘颗粒和细菌。阀杆和阀板表面也可以包一层丁腈橡胶或乙丙橡胶，防止金属表面侵蚀和腐蚀。阀板和阀杆的“薄板”设计，可以提高Cv值（比普通心轴穿透阀板高50%）和较大的压力恢复能力，所以具有较小的压力降，是节能阀门。

One-piece design. The disc edge is spherically machined and hand polished to produce a bubble-tight shutoff, minimum torque, and longer seat life. The disc/stem design inherently provides complete protection from particle entrapment and bacterial decay, protection that is required for sanitary performance. For superior erosion and abrasion resistance, the one piece disc/stem is fully encased in either EPDM or BUNA-N. The thin disc profile provides a much higher Cv (up to 50% greater than most through-stem designs) and greater pressure recovery, thus resulting in lower pressure drops and a more energy-efficient valve.

阀杆填料Stem seal

自调式双“U”杯形填料设计，可保证双向绝对密封。防止外来物质进入阀杆腔内。

Double "U" cup seal design is self-adjusting and gives positive sealing in both directions and prevents external substances from entering the stem bore.

阀体/长/短衬轴Body/Long/short liner shaft

阀体分为两半，容易组装和维修。长/短衬轴抗腐蚀，醇缩醛阀杆套能够吸收重负荷时的侧向推力。

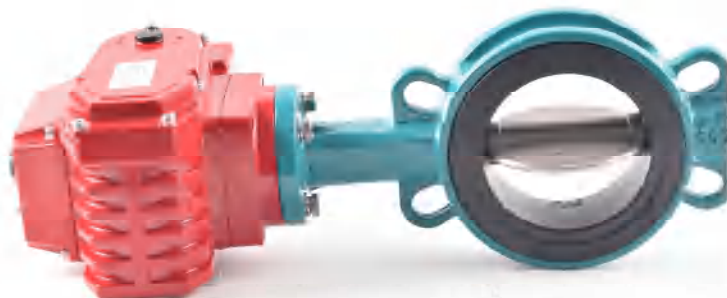
Two-piece wafer or lug style allows for ease of assembly and maintenance. Long/short liner shaft Non-corrosive, heavy duty acetal bushing absorbs actuator side thrust.



阀座Seat

HANKSON独特的舌槽接合式阀座设计，能够完全把阀体与管内介质隔离。与其他同类阀门比较，它具有：阀座安装牢固，更换方便快捷，扭矩小的优点。阀座表面有模压成一体的O型环，不需要再安装时另加法兰垫片。

HANKSON tongue and groove seat design lowers torque and provides complete isolation of flowing media from the body. The seat also features a molded O-ring which eliminates the use of flange gaskets.



D100/常规配置

center line butterfly valve

产品简介Product introduction

经济、结构简单。适用于绝大多数工业领域。

Economic, simple structure. Suitable for most industrial applications.

设计和特点Design and Features

操作: 手把式、手轮式、气动、电动

连接: 对夹法兰、凸耳式、双法兰、单法兰

压力范围: PN10-PN16/150LB

Operation: Handle, Handle Wheel, Pneumatic, Electric

Connection: Wafer flange, Lug, Double flange, Single flange

Pressure



气动执行器 Pneumatic actuator

缸体: 铝合金 (其他请咨询)

气源压力: 4-8 bar

环境温度: -20°C +80°C (其他请咨询)

气源介质: 过滤后的压缩空气或者其他惰性气体

选项: 两位三通或两位五通电磁阀, 电子或物理指示器,

定位器, 过滤减压阀, 手动离合器

Body: Aluminum alloy (Others on request)

Pilot pressure: 4-8 bar

Temperature of the environment: -20°C up to +80°C (Others on request)

Pilot media: Filtered compressed air or other inert gases

option: 3/2-ways or 5/2-ways solenoid valve, electronic or physical indicators, locator, filter pressure reducer, manual clutch

以上信息仅供参考, 本公司保留修改的权利, 恕不另行通知

The above information is for reference only, the company reserves the right to modify without prior notice



选项Options

球阀体材质: 球墨铸铁喷涂聚酯涂层, WCB, 304SS, 316SS, 316L (其他请咨询)

内件材质: WCB表面镀镍, WCB表面镀尼龙, 304SS, 316SS, 316L (其他请咨询)

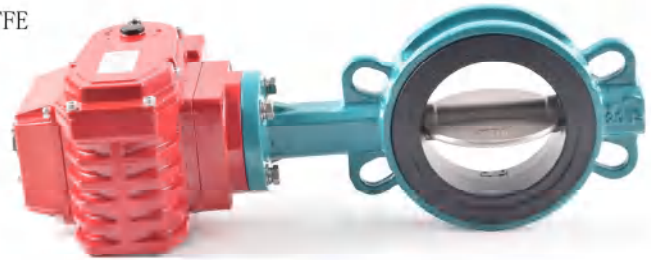
阀座密封: NBR, EPDM, PTFE, Viton, Silicone

阀杆填料: PTFE Body: Cast iron lined polyester coating, . WCB, 304SS, 316SS, 316L (Others on request)

Trim: WCB nickel plated, WCB lined nylon, 304SS, 316SS, 316L (Others on request)

Seat: NBR, EPDM, PTFE, Viton, Silicone

Packing: PTFE



电动执行器 Electric actuator

可选电压: 220VAC, 380VAC, 24VDC (其他请咨询)

环境温度: -20°C +60°C

防护等级: IP67

标准设备: 两限位开关, 物理指示器, 手动控制, 开关型+干接点

选项: 除湿加热器, 过力矩保护,

4-20mA调节, Exd IIBT4, 更多要求请咨询

Optional voltage: 220VAC, 380VAC,

24VDC (Others on request)

Temperature of the environment: -20°C up to +80°C

Protection: IP 67

Standard equipment: 2 additional limit switches, optical position indicator, manual override,

On/Off+Limit switch option: Dehumidification heater, overtorque protection, modulate type

4-20mA, Exd IIB T4, more requests please contact

编码说明

Coded instructions

选型说明：例如 D100AFADAD18=手动中线法兰蝶阀，直通，国标法兰，WCB/304，EPDM，PN16，DN50

选型说明：例如 D100AFADAD18-DA=气动中线法兰蝶阀，直通，国标法兰，WCB/304，EPDM，PN16，DN50

1.数字 产品	2.数字 结构	3.数字 连接	4+5.数字 阀体/内件	6.数字 密封	7.数字 压力	8.数字 口径	9.数字 驱动
D100=中线蝶阀	A. 直通 F. 特殊阀杆密封	F. 国标法兰 G. 德标法兰 H. 日标法兰 I. 美标法兰	A. HT200/GGG20/GGG40 C. WCB/A105/WCC/1.0619 D. 304/F304/CF8/1.4308 E. 316/F316/CF8M/1.4408 F. 304L/F304L/CF3 G. 316L/F316L/CF3M H. 2205 I. 2507 L. CS+PFA M. CS+F4(PTFE) N. CS+F46 P. SS+PFA Q. SS+F4(PTFE) R. SS+F46	A. EPDM B. NBR C. FPM/FKM/VITON D. SILICONE E. PTFE K. NYLON/DEVLON/MOLON T. PFA U. F46	A. PN2.5/PN1/JIS 2K B. PN6 C. PN10/5K D. PN16/150LB/10K	16=11/4" 17=11/2" 18=2" 19=21/2" 20=3" 21=4" 22=5" 23=6" 24=8" 25=10" 26=12" 27=14" 28=16" 29=18" 30=20"	DA=气动双作用齿条 SR=气动单作用齿条 EQ=角行程电动执行器 详情见执行器编码

选型说明：例如 DA1131011=双作用齿轮齿条，铝合金，φ52，NBR，0-90°，

1.数字 产品	2.数字 材质	3.数字 规格	4.数字 密封	5.数字 密封	6.数字 状态	6.数字 选项
DA=双作用齿轮齿条	1=铝合金	13=52	1=NBR	0=0-90°	1=常开	1=NO
SR=单作用齿轮齿条	2=不锈钢	14=63	2=HNBR	1=直行程	2=常闭	2=手动
DG=双作用拨叉	3=碳钢	15=75	3=FKM			
DRG=单作用拨叉		16=83	4=SILICONE			
DI=直行程执行器		17=92				
DS=扇形执行器		18=105 19=125 20=140 21=160 22=190 23=210 24=240 25=270 26=300 27=350 28=400 29=500				

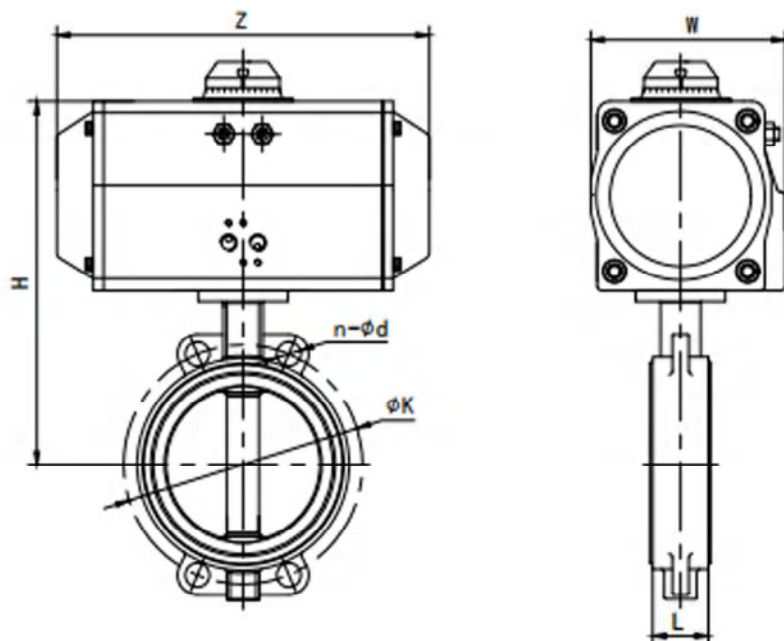
Selection instructions:For example, D100AFADAD18= Manual midline flanged butterfly valve, straight through, GB flange, WCB/304, EPDM, PN16, DN50

Selection instructions:For example, D100AFADAD18-DA= Pneumatic midline flanged butterfly valve, straight-through, GB flange, WCB/304, EPDM, PN16, DN50

1.Digital Product	2.Digital Structure	3.Digital Connection	4+5.Digital Body/Internal	6.Digital Seal	7.Digital Pressure	8.Digital Caliber	9.Digital Drive
D100=Center line butterfly valve	A. direct F. Special stem seal	F. GB flange G. DIN flange H. JIS flange I. ANSI flange J. Clip K. ANSI clip L. JIS clip N. LUG	A. HT200/GGG20/GGG40 C. WCB/A105/WCC/1.0619 D. 304/F304/CF8/1.4308 E. 316/F316/CF8M/1.4408 F. 304L/F304L/CF3 G. 316L/F316L/CF3M H. 2205 I. 2507 L. CS+PFA M. CS+F4(PTFE) N. CS+F46 P. SS+PFA Q. SS+F4(PTFE) R. SS+F46	A. EPDM B. NBR C. FPM/FKM/VITON D. SILICONE E. PTFE K. NYLON/DEVLON/MOLON T. PFA U. F46	A. PN2.5/PN1/JIS 2K B. PN6 C. PN10/5K D. PN16/150LB/10K	16=11/4" 17=11/2" 18=2" 19=21/2" 20=3" 21=4" 22=5" 23=6" 24=8" 25=10" 26=12" 27=14" 28=16" 29=18" 30=20" 31=24"	DA=Pneumatic double acting rack SR=Pneumatic single acting rack EQ=Angular stroke electric actuator

Selection instructions:For example, DA1131011= double acting rack and pinion, aluminum alloy, φ52, NBR, 0-90°，

1. Digital Product	2. Digital Material	3. Digital Specifications	4. Digital Seal	5. Digital Seal	6. Digital state	7. Digital Options
DA=Double acting rack and pinion	1=Aluminum alloy	13=52	1=NBR	0=0-90°	1=Normally open	1=NO
SR=Single acting rack and pinion	2=Aluminum alloy	14=63	2=HNBR	1=Straight travel	2=Normally closed	2=Manual
DG=Double-acting fork	3=Carbon steel	15=75	3=FKM			
DRG=Single acting fork		16=83	4=SILICONE			
DI=Straight stroke actuator		17=92				
DS=Fan actuator		18=105 19=125 20=140 21=160 22=190 23=210 24=240 25=270 26=300 27=350 28=400 29=500				



DN	SIZE	L	φK	N-φd	Actuator				H
					Model	Size	Z	W	
40	1.5"	33	110	4-18	DA1131022	φ52	147	72	222
					SR1141022	φ63	167	83	238
50	2"	43	125	4-18	DA1131022	φ52	147	72	242
					SR1141022	φ63	167	83	258
65	2.5"	46	145	8-18	DA1141022	φ63	167	83	268
					SR1151022	φ75	186	95	280
80	3"	46	160	8-18	DA1151022	φ75	186	95	288
					SR1161022	φ83	210	103	297
100	4"	52	180	8-18	DA1161022	φ83	210	103	315
					SR1171022	φ92	262	109	323
125	5"	56	210	8-18	DA1171022	φ92	262	109	337
					SR1181022	φ105	268	121	353
150	6"	56	240	8-22	DA1181022	φ105	268	121	374
					SR1191022	φ125	301	143	396
200	8"	60	295	12-22	DA1191022	φ125	301	143	421
					SR1201022	φ140	394	152	440
250	10"	68	355	12-26	DA1211022	φ160	458	174	495
					SR1211022	φ160	458	174	495
300	12"	78	400	12-22	DA1211022	φ160	458	174	533
					SR1221022	φ190	528	206	567
350	14"	78	460	16-22	DA1221022	φ190	528	206	630
					SR1231022	φ210	532	226	655
400	16"	102	515	16-26	DA1231022	φ210	532	226	687
					SR1241022	φ240	608	260	721
450	18"	114	565	20-26	DA1241022	φ240	608	260	743
					SR1251022	φ270	716	294	782
500	20"	127	620	20-26	DA1251021	φ270	716	294	840
					SR1261021	φ300	820	336	864
600	24"	151	725	20-30	DA1251021	φ270	716	294	922
					SR1271021	φ350	926	385	1000

Note:

DN40-DN250 flange connection accordance with HG/T20592 PN10/16, ANSI 150LB, JIS 10K;
 DN300-DN600 flange connection accordance with HG/T20592 PN10, ANSI 150LB, JIS 10K;

以上信息仅供参考，本公司保留修改的权利，恕不另行通知

The above information is for reference only, the company reserves the right to modify without prior notice